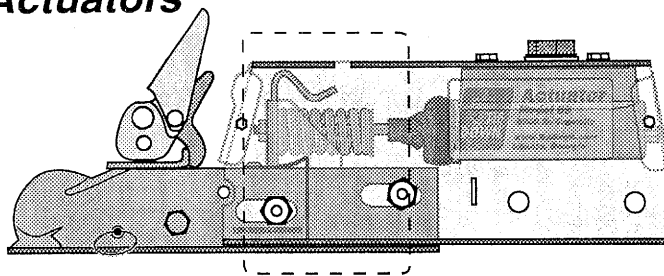


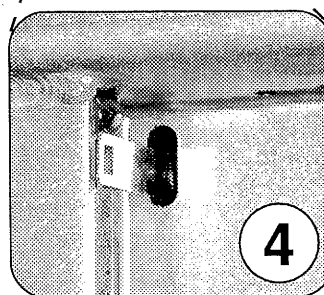
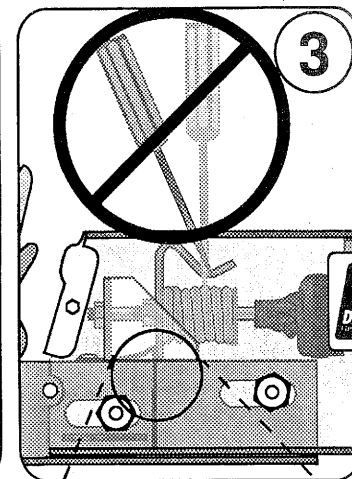
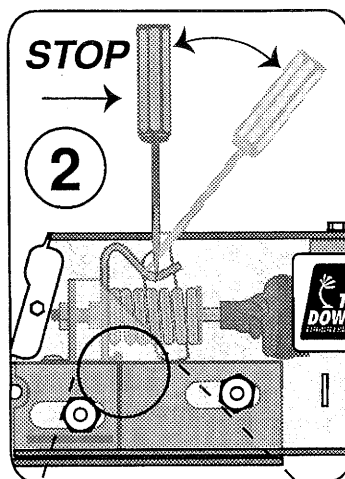
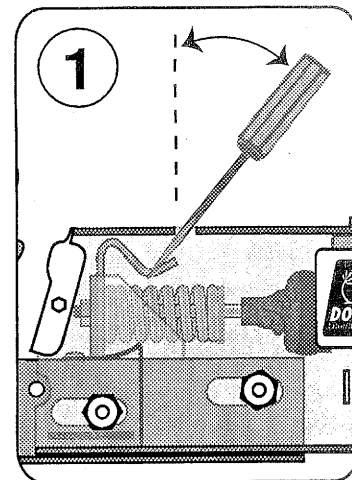
Instructions for Bleeding Tie Downs Model 66 & 80 Actuators



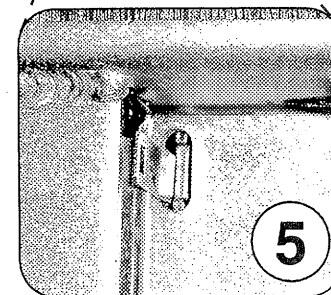
Tie Down's actuators feature a shock dampener that uses brake fluid from the master cylinder. The dampener must be primed before bleeding or using trailer. To prime the dampener, fill the master cylinder with DOT 3 brake Fluid. Push the coupler into the housing and slowly pull out 3 times, then refill master cylinder.

To pump master cylinder, insert a flat tip screwdriver into the round hole near the front of the actuator cover. (picture 1) Screwdriver tip will fit into the slot provided in the emergency brake bracket as shown. Push the screwdriver forward and back to pump the master cylinder. (picture 2) **IMPORTANT:** Never go past 90 degrees (screwdriver straight up) when "pumping" the master cylinder (picture 3). Moving past 90 degrees will cause the emergency brake bracket to "set", locking into place creating constant pressure in the brake lines. If you find that the screwdriver will not go in place as shown when starting to pump the master cylinder, or you move the screwdriver past 90 degrees and feel it "snap into place", you must unlock the emergency brake bracket as shown in pictures 4 and 5.

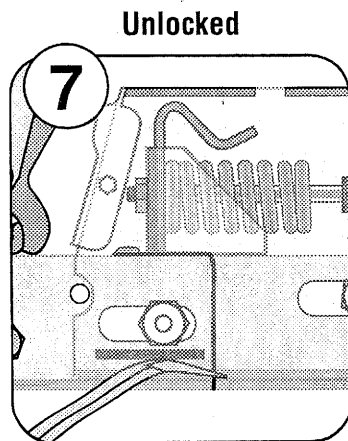
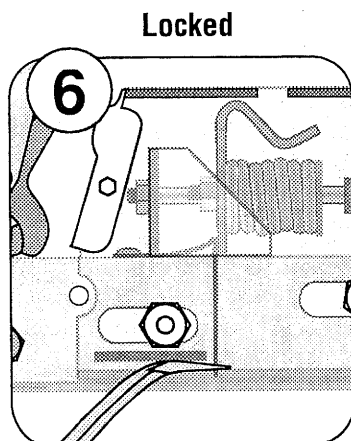
Pictures 4 & 5 show the underside of the actuator. If the oval slot where the emergency brake release tab comes out is "silver" (picture 5) and the release tab is pushed forward, this indicates that the emergency stop bracket is "set" and must be released before bleeding brakes or using the trailer. If the oval hole is "dark" (picture 4) and the release tab is free to move back, the emergency brake is ready to go, including bleeding and using the trailer.



Underside Shown, looking up
"OK"



Underside Shown, looking up
"Emergency Brake Set"



To release the emergency brake bracket, (pictures 6 & 7) insert a brake adjustment tool (looks like a bent screwdriver) into the slot on the release tab (on bottom side of actuator) and pull down until a "click" noise is heard indicating the bracket is released.

Optional: two screw drivers using one to pull down and one to place under the other for leverage.